



Made In Japan

MASAMITSU
SECURITY TECHNOLOGY OF JAPAN

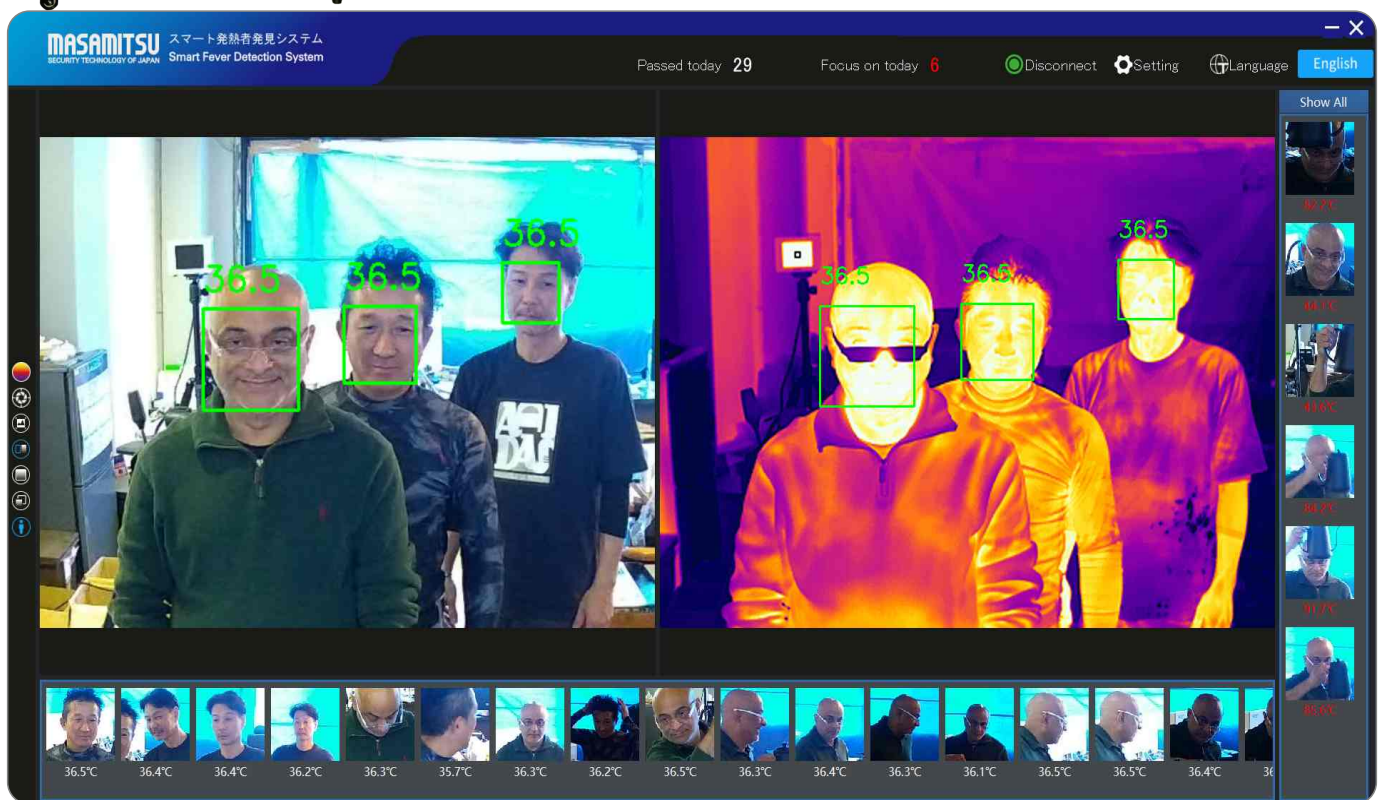


MFSYS-01 Standard System
Monitor Option

MFSYS-01

Mass Fever Screening System

MFSYS-01 is a real-time non-contact temperature measurement system for detecting and alarming individuals with elevated temperature in high footfall areas.



- MF Series**
- AI ARTIFICIAL INTELLIGENCE**
- IP55 DUST PROOF**
- ROBUST DESIGN**
- FACE DETECTION**
- FEVER DETECTION**
- 37.2 C / 98.78 F RANGE ADJUSTABLE**
- FACE CAPTURE & STORE**
- FACE CAPTURE & STORE**
- 15 MINI ATX + WINDOW-10**
- BLACKBODY SOURCE BOX**
- MF Series
- ADVANCE
- IP55
- 24/7/365
- Smart AI
- Forehead Temp.
- MAX.-MIN SET
- HIGH TEMP.
- NOR. TEMP.
- PREINSTALLED
- FOR ACCURACY

MFSYS-01

- Thermal camera, Non contact accurate temperature measurement , accuracy of $\pm 0.3^{\circ}\text{C}$.
- Compact, dual-vision, body temperature measuring camera.
- Provide the temperature data and visual image of target.

- Simple design and easy to use, fast on-site control.
- Meet the requirements of quick pass without contact, human face recognition in small scene channel.
- This camera is appropriate for security gate, access control, gate, IoT, etc.

MFSYS-01 is a real-time non-contact temperature measurement system for detecting and alarming individuals with elevated temperature in high footfall areas.



Made In Japan

MASAMITSU
SECURITY TECHNOLOGY OF JAPAN

MFSYS-01 Ready to Use Standard Supply



MFSYS-01 - DUAL CAM 384288-1080P



MFSYS-01 - BBRSB (Blackbody Radiation Source Box)

Product may vary in appearance and specifications. Product available with Various types resolutions.

TECHNICAL SPECIFICATIONS

Model Name	MFSYS-01 - DUAL CAM 384288-1080P
Detector Parameters	
Detector	VOx Uncooled Infrared FPA Detector
Resolution	384(H)X288(V)
Pixel Size	17 μm
Spectrum Range	8~14 μm
Frequency	50 Hz
LENS PARAMETER	
Focal Length	9.7mm
Focus type	Athermal
FOV(Horizon×Vertical)	37.2° x 28.3°
I FOV	1.7mrad
Visible Light Camera	
Resolution	1920(H)X1080(V)
Focal Length	4.4mm
FOV	90°
Temperature Measurement	
Measurement Range	0°~60°
Measurement Accuracy	±0.5°C@target temperature 33°C~42°C (without BBRSB) ±0.3°C@target temperature 33°C~42°C (with BBRSB)
Effective measuring distance	1~3m
Interface	
Power Supply	USB x 2 (5V DC)
Communication Interface	USB
Communication Protocol	UVC (USB Video Class)
Environment adaption	
Operating temperature	-10°C~50°C
Storage temperature	-20°C~65°C
Humidity	5~95%, no condensation
Physical Parameters	
Dimension	110mm×75mm×56mm
Software Function	
Face recognition	Support intelligent face recognition
Secondary development	Provide Windows SDK and development manual

Model Name	MFSYS-01 - BBRSB (Blackbody Radiation Source Box)
Parameters	
Power Input	100~240 VAC 50/60 Hz
Environment Temperature	0°C~40°C
Temperature Setting Range	Environment Temperature +5°C~50°C
Accuracy	+/- 0.2°C@35°C
Emissivity	0.97 +/- 0.02
Settling Time	Max. 5.0 Min.
Temperature Stability	+/- 0.1°C~0.3°C / Hours
Effective Radian Area	100 mm X 80 mm
Dimension (LxWxH)	195 mm x 150 mm x 110 mm

Open Your Business Safely With MFSYS-01



MFSYS-01 is a real-time non-contact temperature measurement system for detecting and alarming individuals with elevated temperature in high footfall areas.



Made In Japan

MASAMITSU
SECURITY TECHNOLOGY OF JAPAN

MFSYS-01 Ready to Use Standard Supply



MFSYS-01 - Mini ATX (Come with Pre-installed 64 Bit Window 10 with i5 CPU with Masamitsu Ai Software)

Product may vary in appearance and specifications. Product available with Various types resolutions.

TECHNICAL SPECIFICATIONS

Model Name	MFSYS-01 - Mini ATX (Come with Pre-installed 64 Bit Window 10 with i5 CPU with Masamitsu Ai Software)
Parameters	
System Hardware	Intel Core i5-7200U Dual Core 2.5G Turbo Boost 3.1G, 3M Cache, Support DDR3L Ram and M.2 SSD
RAM	8GB DDR3 Ram / 1.35V / DDR3 / 1600
HDD	Hitachi 2.5inch HDD / 1TB / 5400 / 8M / 6GB / s
OS	64bit Licensed Windows 10 OS
Power Supply	Supplied with 12V/5A power supply



MFSYS-01 Standard System
Monitor Option

MFSYS-01 is a real-time non-contact temperature measurement system for detecting and alarming individuals with elevated temperature in high footfall areas.



Made In Japan

MASAMITSU
SECURITY TECHNOLOGY OF JAPAN

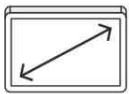
MFSYS-01 Ready to Use Standard Supply



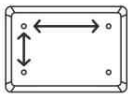
MFSYS-01 - MCCMT (Monitor Cart with Camera Mount Table)

- Height Adjustable Aluminum Monitor / TV Cart with Crank Handle
- Telescoping Height Adjustment: for the optimal viewing height
- Effortless TV height adjustment with crank handle
- Tool-less Tilt: allows for effortless positioning
- Quick Assembly Shelf: Easy post-installation and adjustable height
- Heavy-Duty Casters with Locking Mechanism
- Column Height Markings: conveniently displays the current height

Product may vary in appearance and specifications. Product available with Various types resolutions.



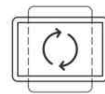
Screen Size
32" ~ 55"



VESA Compatible
200x200 400x200
300x300 400x400



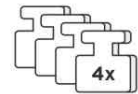
Weight Capacity
50kg/110lbs



Screen Rotation
0° ~ +90°



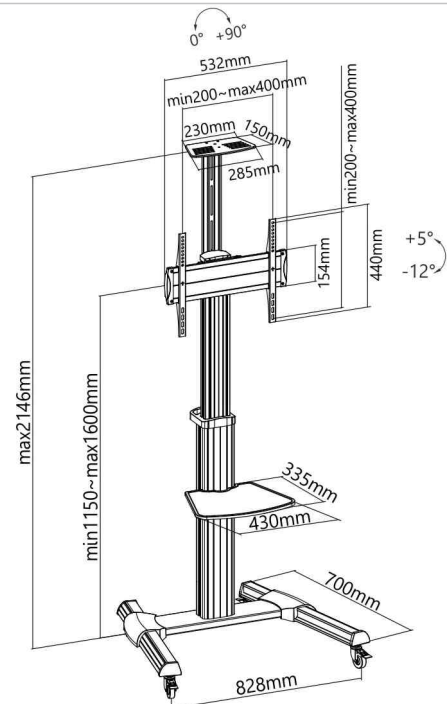
Tilt Range
+5° ~ -12°



Four Times
Strength Tested

TECHNICAL SPECIFICATIONS

Model Name	MFSYS-01 - MCCMT (Monitor Cart with Camera Mount Table)
Parameters	
Screen Size	32" ~ 55"
VESA Compatible	200x200,300x300,400x200,400x400,600x400
Monitor or TV Weight Max.	50 kg. Max.
Tilt Range	+5.0° x 12.0°
Screen Rotation	+0.0° x +90.0°
Monitor Height	Adjustable
Carton Size	118.6 x 52 x 19 cm
GW / NW	26.1 kg / 19.0 kg



Masamitsu Technologies may, at any time and without notice, make changes or improvements to the products and services offered and/or cease producing or commercializing them. The Masamitsu logo and trademark are properties of Masamitsu Technologies.

Authorised Dealer / Representative.